

# DATASHEET

<b>Module TYPE</b>	<b>DDR 1GB/512MB SODIMM</b>
<b>Module speed</b>	<b>PC-3200</b>
<b>CAS Latency</b>	<b>CL-3</b>
<b>Pin</b>	<b>200pin</b>
<b>SDRAM Operating Temp</b>	<b>-40 °C ~ +85 °C</b>

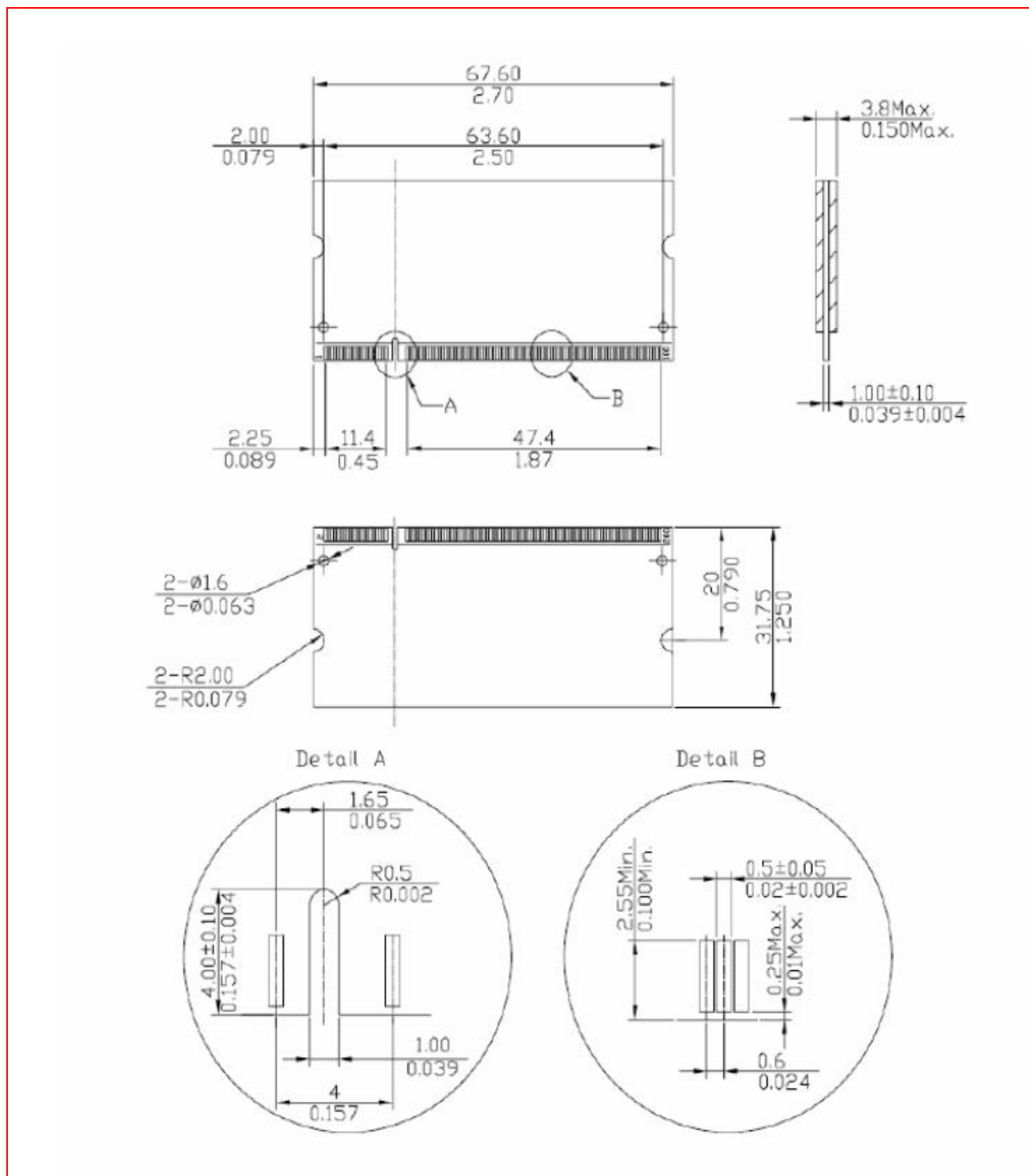
# 1. Features

## Key Parameter

Industry Nomenclature	Speed Grade	Data Rate MT/s			tRCD	tRP	tRC
		CL=2	CL=2.5	3	(ns)	(ns)	(ns)
<b>PC-3200</b>	-	266	333	400	15	15	55

- JEDEC Standard 200-pin Dual In-Line Memory Module
- Intend for 400 MHz applications
- Inputs and Outputs are SSTL-2 compatible
- VDD=VDDQ= 2.6 Volt ± 0.1 (PC-3200)
- Differential clock input
- DLL aligns DQ and DQS transition with CK transition
- Bi-Directional data strobe with one clock cycle
- Auto Refresh (CBR) and Self Refresh Modes support.
- Serial Presence Detect with EEPROM
- 30u"Golden Contactor
- Auto & self refresh 7.8µs (TA ≤ +70°C)
- Operation Temperature
- Industrial (-40°C ≤ TA ≤ +85°C)
- Programmable Device Operation:
- Burst Type: Sequential or Interleave
- Device CAS# Latency: 2,2.5 and 3
- Burst Length: 2, 4 or 8
- RoHS Compliant (Section 13)

## 2. PACKAGE DIMENSION



Note: Device position is only for reference.